

ENERGY LABEL: **D**
 28kWh/1000h

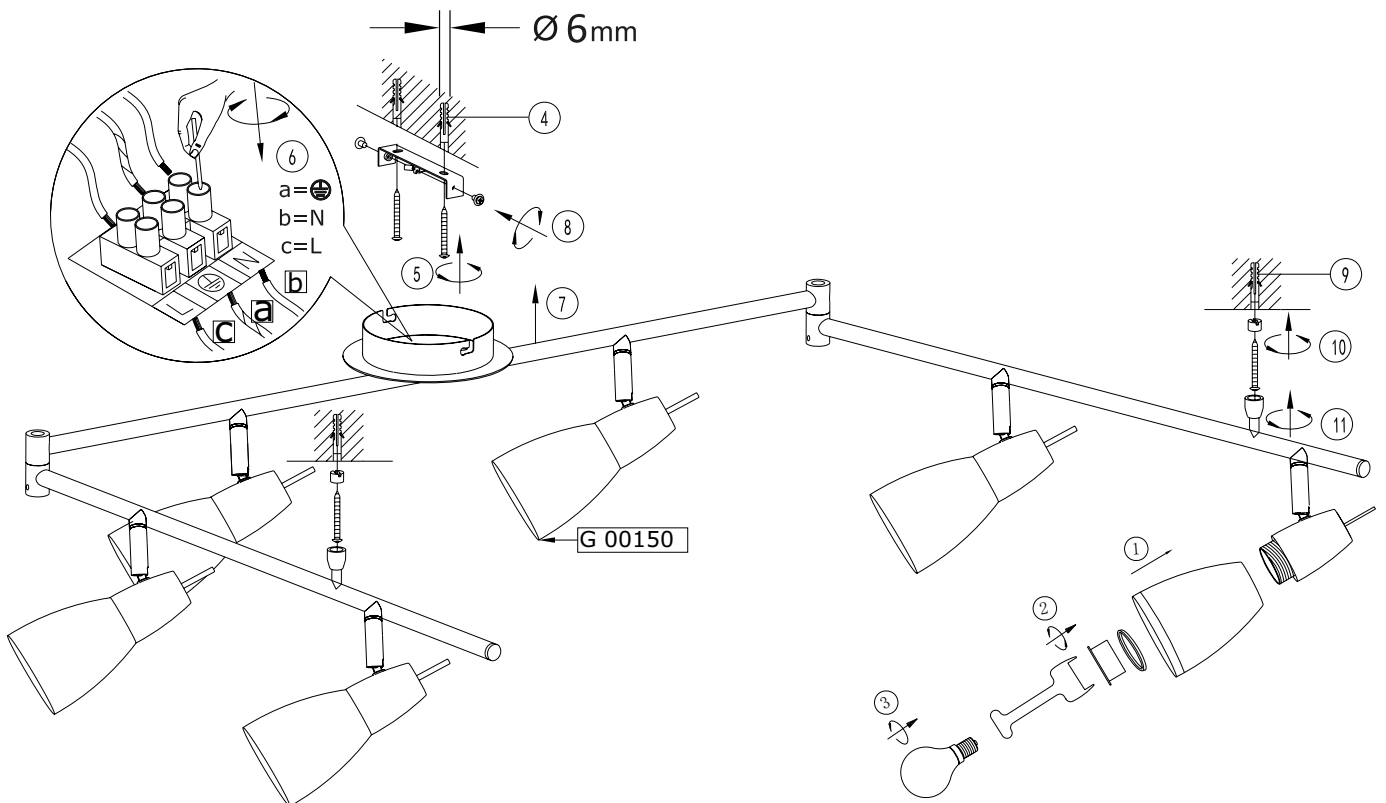
W	28W
E14	E14
lm	370 lm
t	2.000h
T _K	2.800 K
8.000 x	8.000 x
0s	0s

990336

230V/50Hz~



6 x E14 max. 28W



04/2019